

BMPM020 20 Quart Mixer



- * Table model
- * Three fixed speeds
- * Easy speed shifting
- * 100% gear driven
- * Long life gear box
- * Heavy duty construction
- * Powerful motor
- * # 12 Hub

Standard Accessories

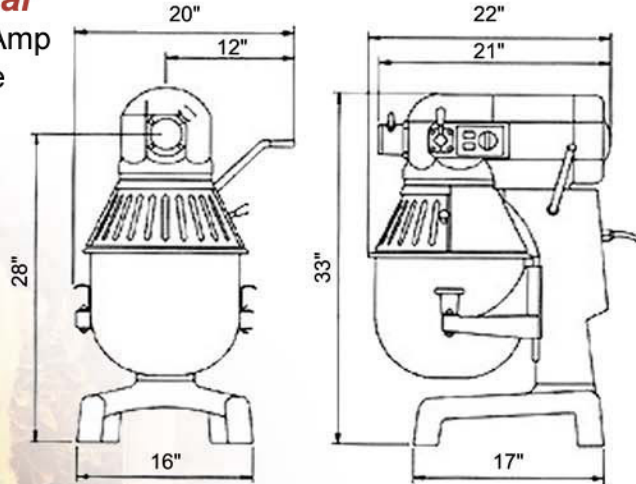
- * Spiral Dough Arm
- * Flat Beater
- * Wire Whip
- * 20 Quart Bowl
- * Safety Guard

Optional Accessories

- * C-type Hook
- * 10 Quart Bowl
- * 10 Quart Spiral Dough Arm
- * 10 Quart Flat Beater
- * 10 Quart Wire Whip
- * Vegetable Slicer Attachment
- * Meat Grinder Attachment



Electrical
110V / 11 Amp
1 Phase



30 Minute
Digital Timer



Model No.	Bowl Capacity	Motor	Agitator Speed (RPM)	Hub	15 Min Timer	Safety Guard	Weight
BMPM020	20 Quart	1/2 HP 0.375kw	60 Cycle Motor	Std	----	Std	209 lbs
			106 397 359	Std	Std	Std	99 kg

One year parts and labor warranty

Think Quality, Value, Service.....Think **BakeMax**

Authorized Dealer

Call Toll free 1-800-565-Bake (2253)
Visit www.bakemax.com

Machines may not be exactly as shown. Specifications may change without notice.
Further technical information available upon request.