

BMPM060 60 Quart Mixer



- * Floor model
- * Four fixed speeds
- * Easy speed shifting
- * 100% gear driven
- * Timer

- * Long life gear box
- * Heavy duty construction
- * Powerful motor
- * # 12 Hub

Optional Accessories

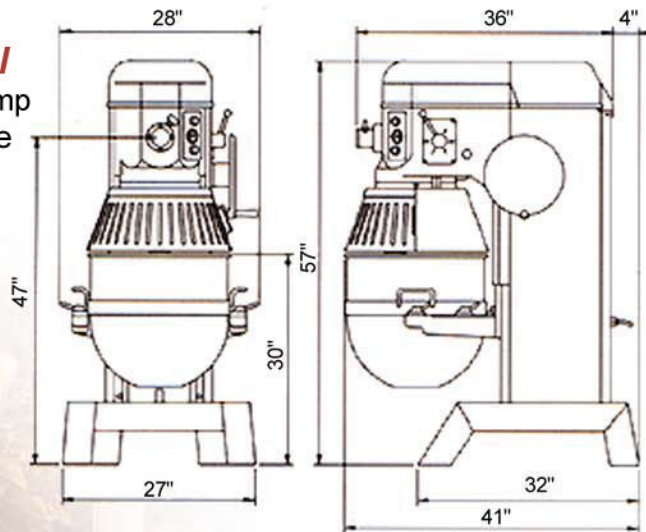
- * 30 Quart Bowl
- * 30 Quart Spiral Dough Arm
- * 30 Quart Flat Beater
- * 30 Quart Wire Whip
- * Vegetable Slicer Attachment
- * Meat Grinder Attachment

Standard Accessories

- * Spiral Dough Arm
- * Flat Beater
- * Wire Whip
- * 60 Quart Bowl
- * Bowl Truck
- * Safety Guard



Electrical
220 V / 21 Amp
Single Phase
(3 Phase also Available)



Model No.	Bowl Capacity	Motor	Agitator Speed (RPM)	Hub	15 Min Timer	Safety Guard	Weight
BMPM060	60 Quart	3 HP 1.5 kw	60 Cycle Motor		---	Std	990 lbs
			100	177			

One year parts and labor warranty

Think Quality, Value, Service.....Think **BakeMax**

Authorized Dealer

Call Toll free 1-800-565-Bake (2253)
Visit www.bakemax.com

Machines may not be exactly as shown. Specifications may change without notice.
Further technical information available upon request.